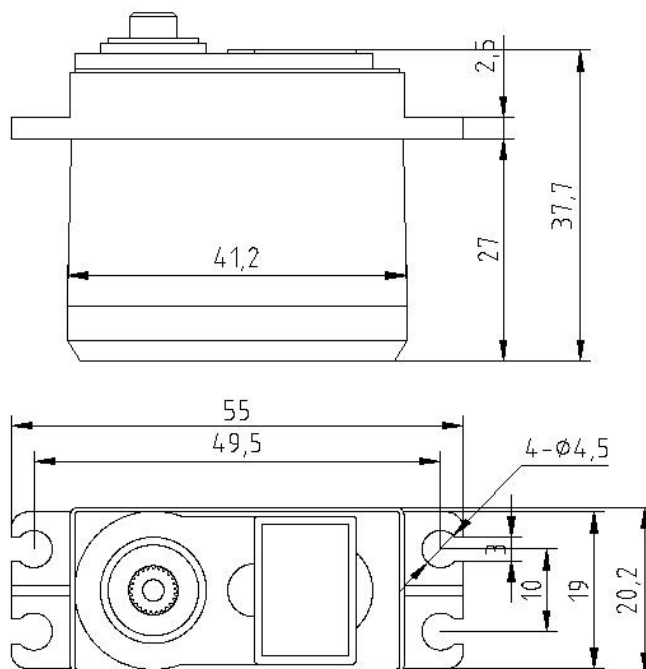


GS-5515DTG

Control System	Positive PWM control 1500 usec Neutral	
Operation Voltage Range	4.8V ~ 7.2V	
Operation Temperature Range	-20C°~ +60C°	
Test Voltage:	At 4.8V	At 6.0V
Standing Torque	15.5kg.cm	17.5kg.cm
Speed	0.15 sec / 60 deg at no load	0.135 sec / 60 deg at no load
Idle Current	300mA at stopped	380mA at stopped
Running Current	3200mA at no load	3800mA at no load
Dead band width	3 usec	3 usec
Circle	10000 times	
Operation Travel	60° ± 10°	
Direction	Re-clock wise/ Pulse Travel 1500 to 1900 usec	
Drive type	FET drive	
Motor Type	Coreless	
Potentiometer Type	Indirect drive	
Amplifier Type	Digital Control	
Dimensions	40.8*20.1*38.0 mm	
Weight:	55g without splined horn	
Ball Bearing	Double ball bearing	
Gear Material	Titanium gear	
Case Material	Nylon plus fiber/Water-proof	
Connector Wire Length	300mm	
Connector Wire Gauge	22AWG heavy duty (Futaba Universal)	
Wire Info (Black)	Negative	
Wire Info (Red)	Positive	
Wire Info (White)	S Single	



GS-5515DTG

